



Walk Behind Blowers

Blow the Competition Away...

Debris Blowers for the Professional

Models

LSH-High Output and LSC- Classic series

OWNER'S MANUAL

Please Read all safety and operating instructions before using machine.

555 Goodrich Rd
Bellevue, OH 44811
419-483-9918
419-483-8128 fax
www.selbro.com
Salesinfo@selbro.com





We would like to thank you for your purchase of our professional grade LandShark high output debris blower. All our products are fabricated and assembled using quality parts and heavy gauge steel materials in our Bellevue, Ohio facility. The machine you have is designed to provide many years of service.

The LandShark Team

Table of Contents

1) Applications and Uses	2
2) Service information	3
3) Safety Information	3,4
4) Warnings (Do Not)	5
5) Warnings (Do)	5
6) Engine and Fuel Warnings	6
7) Blower Assembly	6
8) Operating Instructions	7
9) Maintenance	7
10) Exploded View	8,9
11) Parts List	9-11

1) Applications and uses:

The versatility of the LandShark Blower makes it ideal for a wide range of uses. Blowing leaves, drying tennis courts, blowing grass clippings, blowing parking lots, cleaning driveways, preparing roof surfaces before repairs are made, blowing thatch from golf course greens and tees.

This manual provides information for safe and efficient operation and service. It is important that you read and understand this manual before operating your blower.

Warning

The engine exhaust from this product contains chemicals known to the State of California to cause cancer, birth defects or other reproductive harm.




2) Service information Engine:

Refer to the enclosed Engine Manual provided by the engine manufacturer or an authorized repair facility for replacement parts and engine warranty. Blower Components: Contact your local LandShark dealer.

3) Safety Information

Warning

This symbol indicates important safety instructions
When you see this symbol,  pay special attention to its warning!! Stay Alert!!

Warning

TO REDUCE THE POTENTIAL FOR ACCIDENTS, ALWAYS COMPLY WITH THE SAFETY INSTRUCTIONS IN THIS MANUAL. FAILURE TO DO SO MAY RESULT IN PERSONAL INJURY AND / OR EQUIPMENT AND PROPERTY DAMAGE.

Warning

IMPROPER USE OR CARE OF THE BLOWER, FAILURE TO WEAR PROPER SAFETY PROTECTION CAN RESULT IN SERIOUS INJURY.

READ AND UNDERSTAND THE RULES FOR SAFE OPERATION AND ALL INSTRUCTIONS IN THIS MANUAL.

WEAR HEARING AND EYE PROTECTION AT ALL TIMES WHEN OPERATING THIS BLOWER.



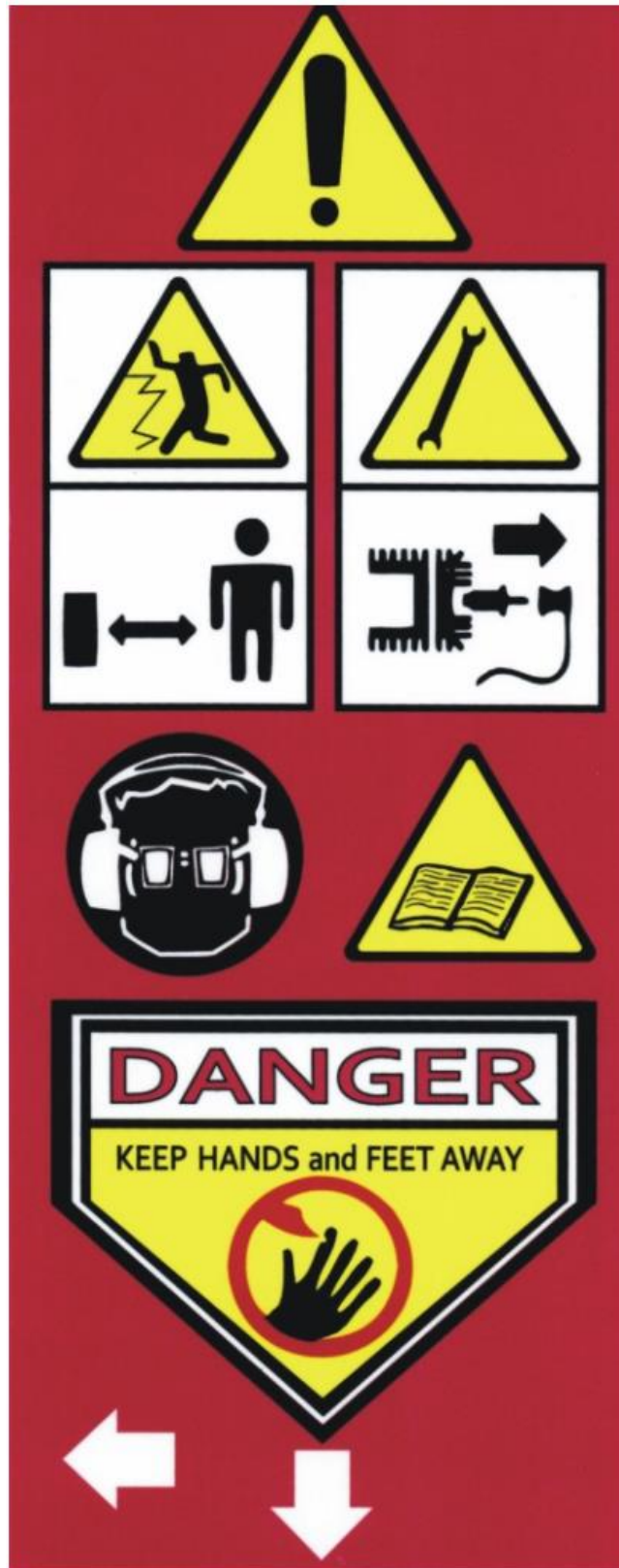
Safety Decals

An important part of the safety information for this blower are the safety decals found on various parts of the blower. These decals must always remain visible and in good condition. It is your responsibility to replace the decals if they become worn, damaged or hard to read. A sample of the decal is shown.

Caution:
Thrown Objects.

Keep bystanders
away

Always wear ear
protection



IMPORTANT
Before performing any service or maintenance, disconnect the spark plug wire and make sure the throttle and kill switch is in the off position

Read and understand the owner's manual. Pay particular attention to ALL sections regarding safety. Keep your owner's manual in a secure place for future reference.

Keep hands and feet away from discharge areas. Rotating fan will cause serious injury.

P/N 1100-074
Warning Label



General safety Rules

A) Read and understand the operator's manual. Pay specific attention to all areas pertaining to safety. Keep your operators manual in a secure place.

B) **WARNING --- KEEP CHILDREN, PETS, and BYSTANDERS AWAY ---**Do not permit children to touch blower. Keep children a safe distance away from work area. Never allow a person under the influence of alcohol or drugs to operate the blower.

C) **DO NOT OVERREACH OR STAND ON UNSTABLE SURFACES** when operating the blower. Keep good footing at all times.

D) **WHEN OPERATING MULTIPLE MACHINES ---**Keep a safe distance between operators when working simultaneously

Warning

Misuse of blower or failure to follow all safety precautions may result in serious injury to the operator or others. read and understand the following before attempting to operate this blower!!!

4) WARNINGS --- DO NOT DO!

A) **DANGER ROTATING FAN --- KEEP HANDS AWAY. DO NOT** attempt to clear debris of any sort from the intake area or discharge area of the blower while the engine is running.

B) **DO NOT POINT THE BLOWER DISCHARGE OUTLET** in the direction of people, cars, glass, or other items which could be injured or damaged by flying debris.

C) **DO NOT ATTEMPT TO REPAIR BLOWER ---** repairs should be made by an authorized LandShark dealer. Make sure that only LandShark and recommended engine manufacturer's parts are used.

5) WARNINGS --- DO!

A) **BE SURE BLOWER IS PROPERLY ASSEMBLED ---** Never operate the blower without all guards and deflectors in place. Make sure all hardware is properly tightened and secure.

B) **KEEP HANDS AWAY FROM AIR INTAKE AND AIR OUTLET CHUTE ---** Keep both hands on handle at all times when operating the blower.

C) **ALWAYS KEEP THE THROTTLE (if equipped) IN THE "STOP" POSITION WHEN NOT IN USE.**

D) **DRESS PROPERLY ---** Do not wear loose clothing or jewelry. These items can be pulled into moving parts. Safety glasses and ear protection are recommended.

E) **MAINTENANCE IS IMPORTANT ---** Follow the routine maintenance instructions provided in this manual and your engine manual.

6) ENGINE / FUEL



⚠ Warning ⚠

HANDLE FUEL WITH CARE, IT IS HIGHLY FLAMMABLE. FUELING A HOT ENGINE OR NEAR AN IGNITION SOURCE CAN CAUSE FIRE AND RESULT IN SERIOUS PERSONAL INJURY AND / OR PROPERTY DAMAGE.

- A) Do not smoke when handling fuel.
- B) Do not refuel an engine that is hot or running.
- C) Do not refuel indoors.
- D) Do not start or run indoors as poisonous carbon monoxide is emitted.
- E) Do not operate in un-ventilated area.
- F) Avoid spilling fuel or oil.

WARNING - All debris blowers are shipped without oil. When filling with oil, refer to the engine manufacturers operating instructions for proper type and amount.

7) Blower Assembly Instructions

Note: Numbers in brackets refer to exploded view and parts list.

- 1) Attach front wheel bracket assembly (36) secure with 5/16x3/4 (6) and flat washers (14). Insert axle sleeve (31) into Pneumatic / Flat Free wheel hub, place wheel between brackets and secure with 3/8 x5" cap screw(17) and flange nut(25).
- 2) Attach lower handle tubes (3) to anti-vibration mounts (2) secure with 3/8 x 1 3/4 hex bolt (23) and flat washers (24).
- 3) Place lower handle brace plate (16) on lower handle assembly and attach handle (3) using 5/18-18 X 1 3/4" bolt (15), 5/16" washers (14) and 5/16" nylon lock nuts (33). Note: Handle height and orientation should be observed at this time.
- 4) Place front discharge baffle (26) into opening in blower housing so hinged bracket is inside square opening. Secure with two ¼ x 3/4" hex bolts (21), two 1/4-20 flange nuts (28) and two 1/4" flat washers. Make sure baffle opens and closes freely.
- 5) Secure spring (27) through top hole in front discharge baffle.
- 6) Place discharge flap (29) on blower output and secure with two 5/16 x 3/4" thumb screws (37).
- 7) Tighten all fasteners securely.

Fan Removal (This procedure should only be performed at a qualified dealer)

1. Remove intake guard and ring.
2. Remove 3 bolts securing fan to tapered bushing. Place a 1 1/8" socket or spacer over crank shaft and tap with hammer to drive bushing back toward engine. (8 Hp and above only) This will release fan and allow easy removal. Note: On 6Hp models, the socket or spacer will vary in size according to the crankshaft.
- 3) When re-installing, replacement of the taper bushing is recommended. Be sure to follow All tightening and torque specifications.



8) Operating Instructions

Refer to Engine Manual for Engine Operation. Follow directions in the engine manual for operating oil type and quantity.

Leaves, thatch or other debris can be directed into windrows or piles by simply maneuvering the unit and directing the flow of air accordingly.

Air flow can be directed to the side or front by the two-position deflector. The front discharge position is used to remove debris from along walls, fences, etc. The side discharge position is used to form windrows and piles.

The horizontal deflector directs air downward to chisel under wet, heavy leaves and litter. The velocity is regulated by the throttle control. Slight changes in deflector will have a big effect on air flow. Experiment until you find the best position for your needs.

For best performance, be sure engine recoil starter assembly, the blower intake and outlet areas are clear and free of leaves or other debris.

9) Maintenance Instructions

1. Keep all nuts, bolts and screws tight.
2. Never store the Blower with fuel in its fuel tank inside a building or in a confined space where fumes may reach an open flame or sparks.
3. Always refer to the instruction manual for important details if the product is to be stored for an extended period.
4. Engine - 4 cycle. (Refer to engine manufacturer's operating instructions for fuel recommendations and additional information.
5. Tires - Tubeless. Inflate to air pressure of 30 PSI.
6. Labels should be inspected before each use. Replace damaged labels immediately.
7. Check oil level regularly.

Warning

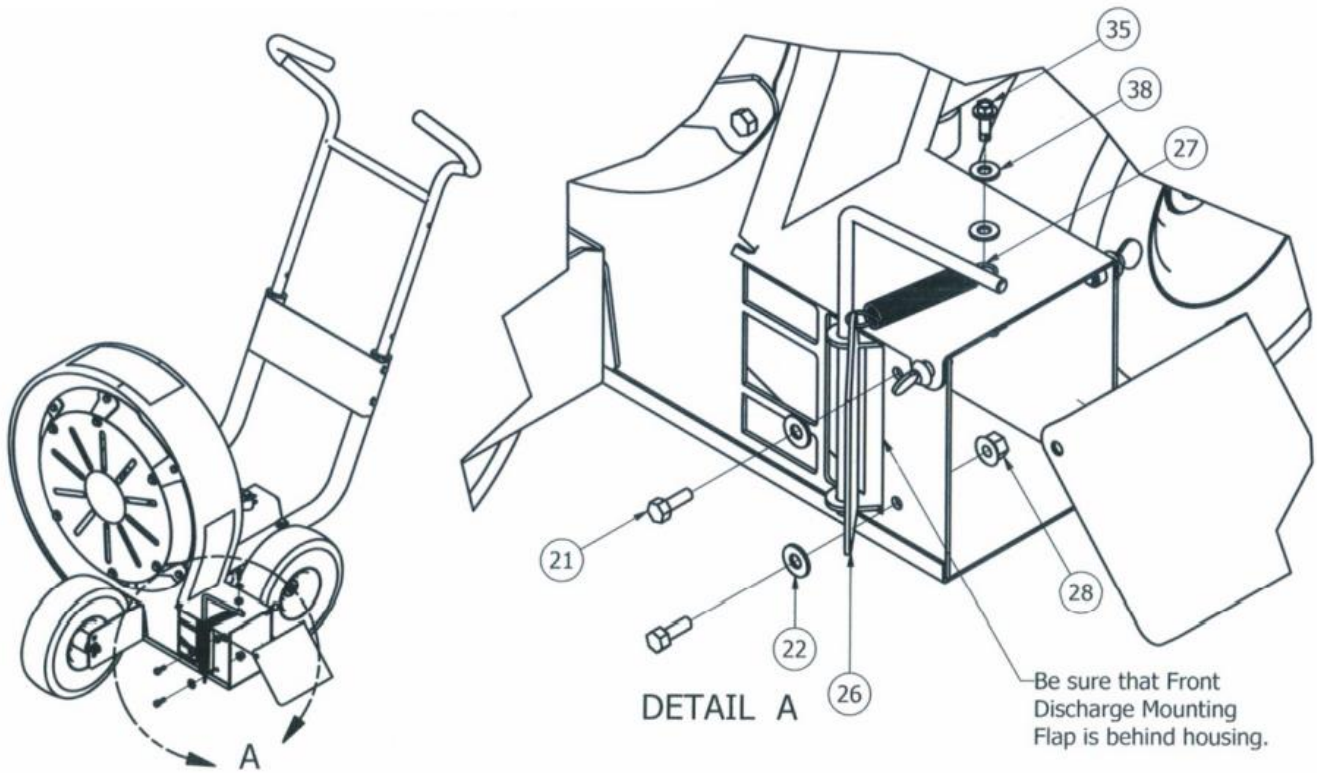
The engine exhaust from this product contains chemicals known to the State of California to cause cancer, birth defects or other reproductive harm.

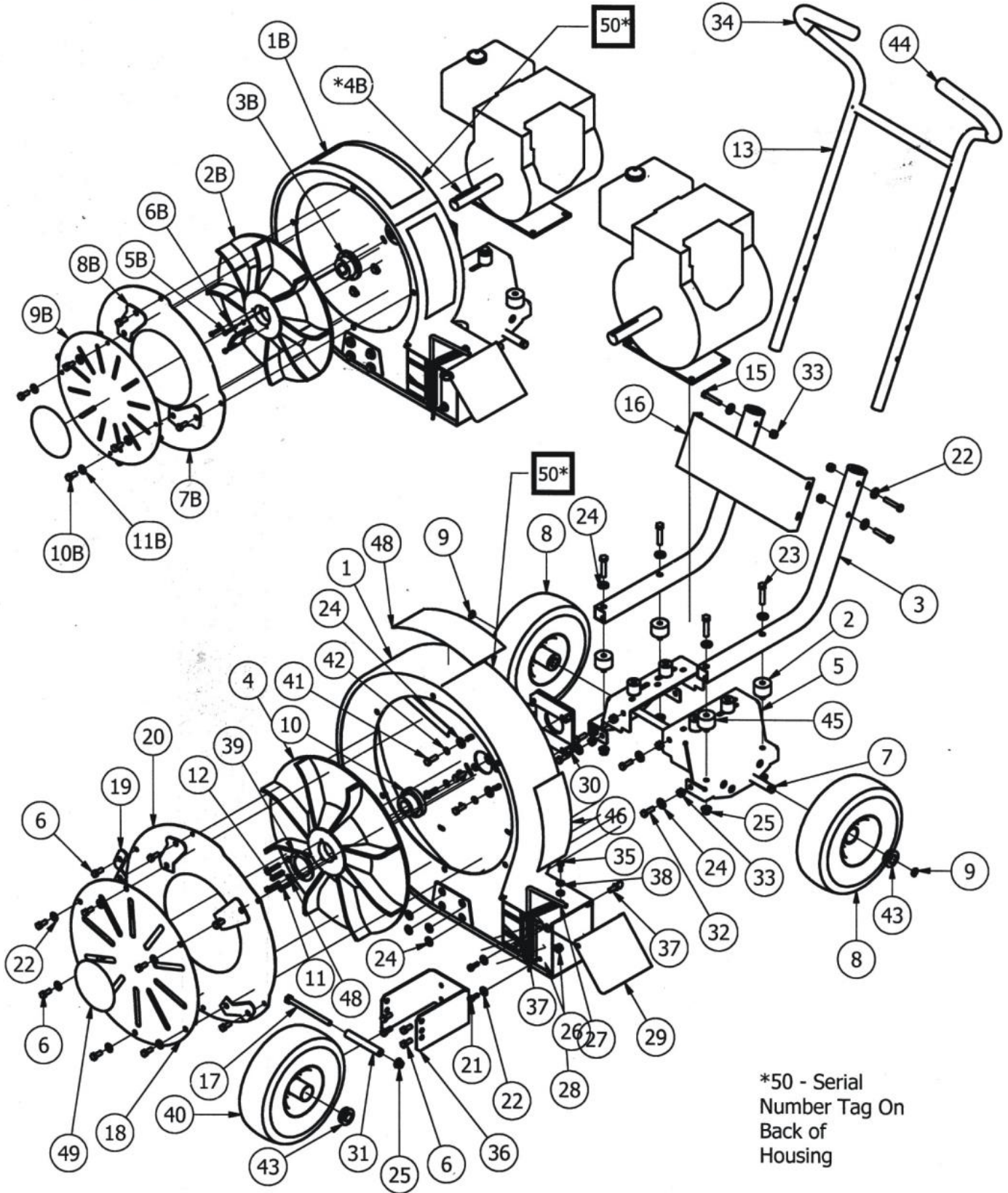
Specifications, illustrations and descriptions are as accurate as known at the time of publication and are subject to change.



Parts List - Complete LSH Blower - Discharge Detail

Item	Quantity	Part Number	Description
21	2	1100-020	Bolt, 1/4-20 x 3/4 HHCS
22	2	1100-073	Washer, Flat, 1/4 USS
26	1	1100-022	Front Discharge Assembly
27	1	1100-021	Spring, Loop End Extension
28	2	1100-019	Nut, Flange, 1/4-20
35	1	1100-014	Screw, Drill & Tap, 12-24 x 3/4
38	2	11900	Washer, 1/4 SAE





*50 - Serial
Number Tag On
Back of
Housing



Parts List – Complete LSH Blower*NOTE: All “*” items are different for each model, specify model and engine.

Item	Quantity	Part Number	Description
1*	1	1100-062	17" HOUSING ASSEMBLY
2	4	1100-044	Rubber Vibration Mount
3	2	1100-061	Square Tube Handle
4*	1	1100-007	17 Inch Impeller
5	2	1100-045	Motor Mount
6	16	1100-075	Bolt, 5/16-18 x 3/4
7	1	1100-051	Axle
8	2	1100-049	Rear Tire Assembly
9	2	1100-050	Retaining Ring, 0.0625
10*	1	1100-006	Taper Lock Bushing
11	3	1100-006-SH1	Bolt, 1/4-20 x 1 3/8, Grade 8
12	1	1100-012	Key Stock 1/4 Inch
13	1	1100-038	Handle Assembly
14	12	1100-031	Washer, Flat, 5/16 USS
15	4	1100-072	Bolt, 5/16-18 x 1 3/4, HHCS
16	1	1100-033	Handle Brace
17	1	1100-026	Bolt, 3/8-16 x 1 3/4, HHCS
18*	1	1100-04A	Intake Guard
19	6	1100-003	Stand Off
20*	1	1100-04B	Intake Ring
21	2	1100-020	Bolt, 1/4-20 x 3/4, HHCS
22	12	1100-073	Washer, Flat, 1/4 USS
23	4	1100-083	Bolt, 3/8-16 x 1 3/4, HHCS
24	4	1100-043	Washer, Flat, 5/16 USS
25	5	1100-047	Nut, Flange, 3/8-16
26	1	1100-022	Front Discharge Assembly
27	1	1100-021	Spring, Loop End Extension
28	2	1100-019	Nut, Flange, 1/4-20
29*	1	1100-018	Discharge Flap
30*	1	1100-058	Engine Housing Spacer
31	1	1100-056	Spanner Bushing
32	4	11815	Bolt, 5/16-18 x 1, HHCS
33	8	11905	Nut, Nylon Lock, 5/16-18
34	2	1100-037	Foam Handle Grip Cover
35	1	1100-014	Screw, Drill & Tap, 12-24 x 3/4
36	1	1100-027	Front Wheel Bracket
37	2	1100-016	Screw, Thumb, 5/16-18 x 3/4
38	2	11900	Washer, 1/4 SAE
39*	1	1100-078	Impeller Ring
40	1	1100-085	Front Tire Assembly
41**	4	11916	Bolt, 5/16-24 x 1, HHSC
42	4	11904	Washer, Split Lock, 5/16
43	6	11493	Bearing, Unground, Flanged, 5/8



44	2	1100-090	Handlebar Plugs
45*	4	1100-057	Engine Spacer
46	1	1100-074	Warning Label
47	1	1100-087	Label Rectangle
48	3	1100-006-SH2	Washer, Lock, 1/4
49	1	1100-086	Label Round

Parts List – LSC Blower

Item	Quantity	Part Number	Description
1B	1	1100-063	14 Inch Blower Housing
2B	1	1100-007S	14 Inch Impeller
3B***	1	1100-006S	Bushing, Compression
4B**	1	1100-012S	Key Stock
5B	3	1100-005-JA1	Bolt, 10-24 x 1 1/4 , SHCS
6B	3	1100-006SH2	Washer, Split Lock, #10
7B	1	1100-04BS	Intake Ring
8B	4	1100-003	Stand Off
9B	1	1100-04AS	Intake Guard
10B	8	1100-075	Bolt, 5/16-18 x 3/4, HHCS
11B	4	1100-031	Washer, Flat, 1/4 USS

Parts List – LSCS Blower

Item	Quantity	Part Number	Description
1B	1	1100-063S	14 Inch Blower Housing
2B	1	12644	Impeller, 5 Blade
4B**	1	1100-012S	Key Stock
7B	1	1100-04BS	Intake Ring
8B	4	1100-003	Stand Off
9B	1	1100-04AS	Intake Guard
10B	8	1100-075	Bolt, 5/16-18 x 3/4, HHCS
11B	4	1100-031	Washer, Flat, 1/4 USS
29	1	1100-018S	Discharge Flap, Small
30	1	1100-058-1	Spacer, Housing/Engine
NS	1	12645	Ring Set (4), Intake Protection
NS	2	12643	Spacer, Housing/Base

NOTE: All “” items are different for each model, specify model, engine.

**NOTE: 11916 , 1100-057 and 1100-012 are Model Specific

*** NOTE: Designate Crankshaft Size / Engine Model

Note: All other parts are common with the LandShark Series Blowers